



Easycove® is a highly engineered cove base molding designed for the resinous flooring industry. It is easily coated, and provides numerous benefits over traditional hand troweled and existing cove moldings currently available.

## PRODUCT BENEFITS

- Superior bond to substrate when using our adhesive.
- Can be used in wet environments due to our cove anchor and DoveLock™ technology.
- Physical properties mimic that of epoxy troweled cove (our competitors mimic a urethane material which is not ideal for overcoating with rigid material).
- Will not support combustion, see web-site for video comparing competing brand.
- Can be custom made in any length and color (minimum order of 3,000 LF)
- Can be installed to any angle without the need or hassle of expensive pre-formed pieces.
- Color is closely matched to that of clear coated concrete to eliminate large appearance variations when applying flake or color quartz to floor and cove.

## SURFACE PREPARATION

- Substrate should be solid, and ideally prepared to the original structural material.
- Whenever applying Easycove® over a previously painted surface, the bond will only be as good as the coating that Easycove® is adhered to.

## APPLICATION

- Once substrate is prepared, apply Easycove® adhesive to both DoveLock grooves and a one-half inch bead of Easycove® adhesive to the floor/wall corner.
- The purpose of the bead is to create a water-proof seal between the adhesive and the Easycove® cove anchor.
- Failure to have a consistent half-inch bead may allow moisture to intrude and so this step is very critical.
- Now tilt Easycove® up into position and apply even pressure using a soft cotton towel to make sure cove is completely pressed against the wall and floor.
- Easycove® should be applied at operating temperature of that room whenever possible.
- Once Easycove® is removed from the box, it should be laid in a warm area, completely flat, to make sure there are no kinks or deformities. A heat gun is helpful to help the material relax. And when applying it to complex curves, this heating process will also help to accelerate the adhesive.
- Apply the coating using brush, roll or spray.

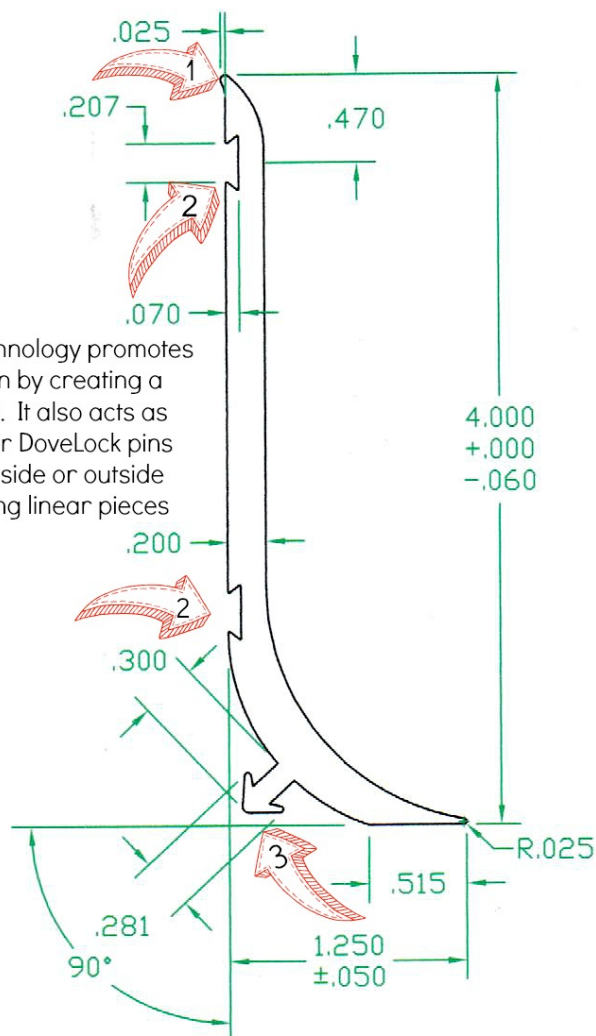


CANADA

## SPECIFICATIONS

(1) The upper Cove Seal helps to prevent glue seepage and provides a smooth transition from the wall to the cove eliminating a shelf where dust can collect, making cleaning and sterilization easier.

(2) DoveLock™ Technology promotes increased adhesion by creating a locking mechanism. It also acts as a fastening point for DoveLock pins used for forming inside or outside corners and keeping linear pieces properly aligned.



(3) Cove Anchor serves to both anchor the base of the cove to the floor and wall interface, and to lock-out moisture intrusion.



## PHYSICAL CHARACTERISTICS

### 4" and 6" Radius Cove Base

- Height: 4" and 6"
- Cove radius: 1"+
- Base portion thickness: Nominal 1/4"
- Length: 48"
- Total distance out from wall: < 1 1/4"
- Weight: approx. 0.56 lbs/LF and 0.81 lbs/LF
- Will Not Support Combustion
- Packaging: (15) 4' pieces/box, totaling 60'/box;  
one 4" box = 34 lbs and one 6" box = 49 lbs

## PRODUCT PERFORMANCE

ASTM Test Method	Description	Units	Easycove		
D790-03	Flexural Strength	psi	270		
D790-03	Flexural Modulus x 105	psi	0.04		
D790-03	Flexural Elongation	%	8		
D638-03	Tensile Strength	psi	1500		
D638-03	Tensile Modulus x 105	psi	0.15		
D638-03	Tensile Elongation	%	80.21		
D2583-95	Hardness, Barcol 935		0-10		
D256-05	IZOD	Ft-Lbs.	2.79		
D695-02a	Compression Strength	psi	7,321		
D695-02a	Compression Modulus x 105	psi	0.27		
E831-06	CLTE	in/ (m·°C)	99.96		
D570-98	Water Absorption		0.2521		

**Properties of Adhesive:** Two component, 100% solids, fast drying adhesive